

# OVAL GEAR FLOW METER OPERATION MANUAL



## FLOW METER:

5-Digit Liquid Crystal Display

2 Units: L, GAL

2 Keys: **RESET**, **CAL**.

Technical Specification:

medium: Light Oil      Flow Rate: 15—50 L/min

Accuracy:  $\pm 0.5\%$       Repeatability: 0.2%

Max. Operating Pressure: 0.6 Mpa

Remark: This nozzle is only suitable for internal usage, not for commercial usage.

Details of Operation:

1. Erase Data: **RESET** → 0.00;

2. Press **CAL**: the data displayed before "TOTAL" is the total volume,

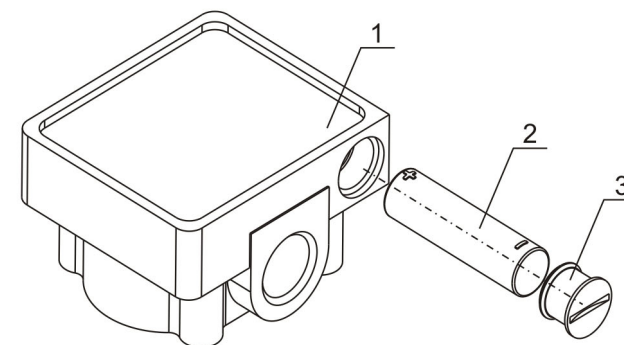
3. Check and Erase the total per unit of time: Press **CAL** twice continually, it appear the data of total per unit of time, and then press **RESET** to clean the data of total per unit of time;

4. Modify Correction Factor: Press "**CAL**" three times → into Correction Factor Change Mode, Press "**CAL**" → Choose the digit wanted to change, Press "**RESET**" → adjust the digit chosen. Factor Range "0-9999". Factor has already been adjusted before delivery and the standard factor range at "1050-1100". PLEASE DO NOT ADJUST THE FACTOR WITHOUT ANY PARTICULAR REASON. When occur errors for using in different medium, the factor can be adjusted. Adjust 1 on the factor, the flow meter error is about 0.8%. When enhance the factor, the displayed value will be more than the actual flow of oil or vice versa. (attn: Do not apply the meter as a measuring tool for commercial trading.)

5. Change measurement unit: Press **CAL** → into Measurement Unit Change Mode, Press **RESET** → change the unit until show the right unit.

6. The display will be closed automatically after 2 minutes later when no operating or no refuelling

Change the battery:



1、FLOW METER    2、3.6VBattery    3、Battery cover

When the battery signal **+** is flashing on the display, change the battery.

--Remove the protector cover, change the battery ER14505 and screw the lid on again.

Remark: Suggest to buy the battery on Taobao net or some professional electronic markets.