



FUEL MANAGEMENT SYSTEMS



DISPENSERS



KITS



PUMPS



METERS



NOZZLES

CARRY

FEATURES

- EASY TO INSTALL
- SAFE TO MOVE
- LONG LASTING APPLICATION

The PIUSI CARRY pump is a diesel transfer DC pump designed to meet the needs of those who are looking for a long-lasting, high quality and portable pump. CARRY 3000 is equipped with a sturdy handle to allow easy carriage and comes complete with dispensing pipe, power cables and the dispensing nozzle.

PERFORMANCE

UP TO
70 L/MIN

FLOW RATE

12/24V

VOLTAGE
POWER

30 MIN

DUTY CICLE



CARRY PANTHER

CARRY



CARRY 3000 INLINE

PACKAGING

| CODE | WEIGHT | | PACKAGING | | | N. BOXES / EUROPALLET | |
|-----------|--------|-----|-------------|------|---------|-----------------------|-----|
| | KG | LBS | MM | INCH | PCS/BOX | ✕ | |
| FO022300C | 4,2 | 9,3 | 260X235X164 | - | 1 | 84 | 120 |
| FO022400C | 4,2 | 9,3 | 260X235X164 | - | 1 | 84 | 120 |
| FO0223260 | 4,2 | 9,3 | 260X235X164 | - | 1 | 84 | 120 |
| FO0224240 | 4,2 | 9,3 | 260X235X164 | - | 1 | 84 | 120 |
| FO034004B | 4,2 | 9,3 | 260X235X164 | - | 1 | 84 | 120 |
| FO034104C | 4,2 | 9,3 | 260X235X164 | - | 1 | 84 | 120 |



FILTRATION



TANK MONITORING



HOSE REEL



ACCESSORIES



MERCHANDISE



AIR



ANTIFREEZE



AdBlue®



BIODIESEL



DIESEL



FOOD



GASOLINE



GREASE



KEROSENE



OIL

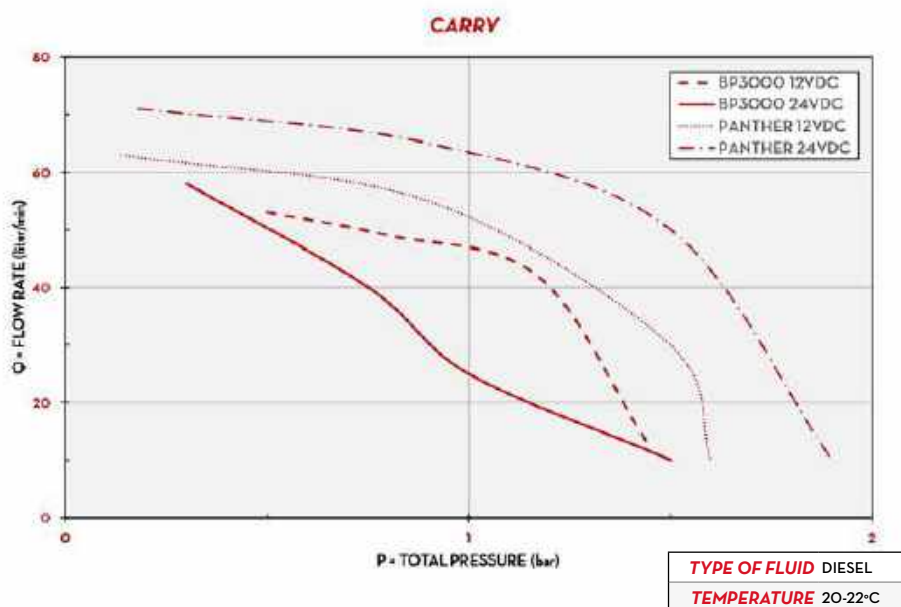


WATER



WINDSCREEN

CHART



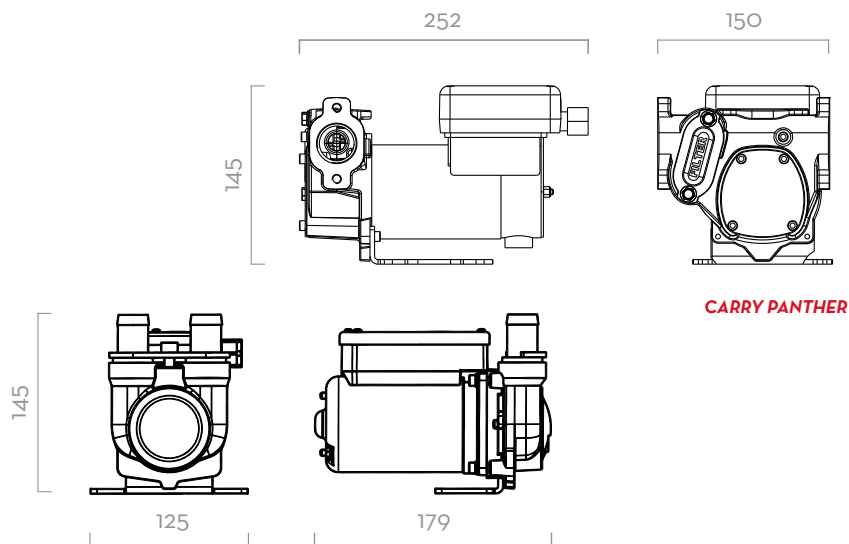
IN THE BOX

- CARRY PUMP
- HANDLE
- DISPENSING PIPE
- ELECTRIC CABLE WITH CLAMPS
- CONNECTIONS
- INSTRUCTION MANUAL

DETAILS



DIMENSIONS



Dimensions expressed in millimeters

MATERIALS

- BODY: CAST IRON
- ROTOR: SINTERED STEEL
- VANES: ACETAL RESIN
- SEAL: NBR
- SHAFT: STEEL

TECHNICAL DATA

| CODE | DESCRIPTION | FLUIDS TYPE | FLOW RATE | | VOLTAGE | | | FUSES CAPACITY AMPERE | DUTY CYCLE MINUTES | RPM | PRESSURE MAX BAR | ON/OFF SWITCH | INLET/OUTLET BSP |
|-----------|-------------------------|-------------|-----------|------|---------|------------|-----------|-----------------------|--------------------|-----------|------------------|---------------|------------------|
| | | | L/MIN | GPM | DC VOLT | POWER WATT | AMP. MAX. | | | | | | |
| FOO22300C | CARRY 3000 12V | D | 50 | 13 | 12 | 300 | 24 | 25 | 30 | 2900 | 1,5 | YES | 3/4" |
| FOO22400C | CARRY 3000 24V / 12V | D | 50/30 | 13/6 | 24/12 | 310/80 | 13/6,5 | 15 | 30 | 2900/1500 | 1,5 | YES | 3/4" |
| FOO223260 | CARRY 3000 INLINE 12V | D | 50 | 13 | 12 | 300 | 24 | 25 | 30 | 2900 | 1,5 | YES | 3/4" |
| FOO224240 | CARRY 3000 INLINE 24V | D | 50/30 | 13/6 | 24/12 | 310/80 | 24 | 15 | 30 | 2900/1500 | 1,5 | YES | 3/4" |
| FOO34004B | CARRY PANTHER 12V | D | 56 | 15 | 12 | 420 | 13/6,5 | 40 | 30 | 2900 | - | YES | 1" |
| FOO34104C | CARRY PANTHER 12V / 24V | D | 35/70 | 9/18 | 24/12 | 600/200 | 13/6,5 | 30 | 30 | 3500/1800 | - | YES | 1" |