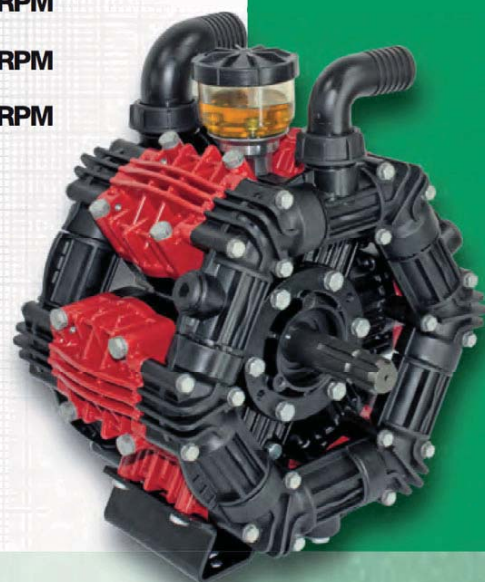
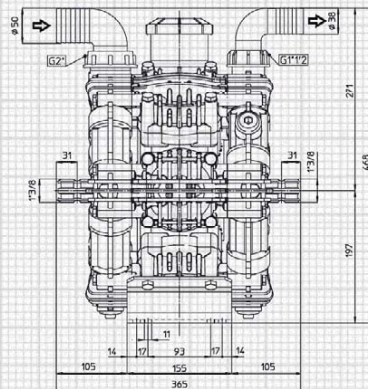
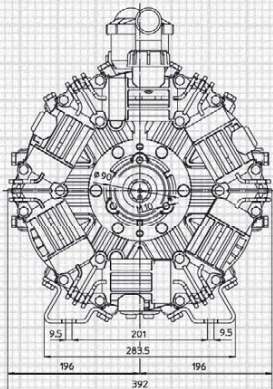


ZETA 230
ZETA 260
ZETA 300

max. 228 l/min - 61 GPM • 20 bar - 290 PSI • 550 RPM

max. 256 l/min - 68 GPM • 20 bar - 290 PSI • 550 RPM

max. 295 l/min - 78 GPM • 20 bar - 290 PSI • 550 RPM



alberi P. di F. disponibili available P.T.O. shaft



13



Per le dimensioni degli Alberi P. di F. vedi pag. 35

For P.T.O. Shaft dimensions see page 35

applicazioni shaft adaptors



13

MOD.	RPM	0 bar / 0 PSI				5 bar / 72 PSI				10 bar / 145 PSI				15 bar / 217 PSI				20 bar / 290 PSI				Peso Weight
		Portata Flow rate		Potenza Power		Portata Flow rate		Potenza Power		Portata Flow rate		Potenza Power		Portata Flow rate		Potenza Power		Portata Flow rate		Potenza Power		
		l/min	GPM	HP	kW	l/min	GPM	HP	kW	l/min	GPM	HP	kW	l/min	GPM	HP	kW	l/min	GPM	HP	kW	Kg
ZETA 230	400	169.5	44.8	1.7	1.2	164.1	43.4	2.1	1.5	162.8	43.0	4.2	3.1	161.6	42.7	6.2	4.6	160.5	42.4	8.2	6.0	36
	450	189.0	49.9	1.9	1.4	183.6	48.5	2.4	1.7	182.3	48.2	4.7	3.4	181.1	47.8	7.0	5.1	180.0	47.6	9.2	6.8	
	500	208.5	55.1	2.1	1.5	203.1	53.7	2.6	1.9	201.6	53.3	5.2	3.8	200.6	53.0	7.7	5.7	199.5	52.7	10.2	7.5	
	550	228.0	61.0	2.3	1.7	222.6	58.8	2.9	2.1	221.3	58.5	5.7	4.2	220.1	58.2	8.5	6.2	219.0	57.9	11.2	8.3	
ZETA 260	400	190.9	50.4	1.9	1.4	185.5	49.0	2.4	1.7	184.2	48.7	4.7	3.5	183.0	48.3	7.0	5.2	181.9	48.1	9.3	6.9	36
	450	212.6	56.2	2.1	1.6	207.2	54.7	2.7	2.0	205.9	54.4	5.3	3.9	204.7	54.1	7.9	5.8	203.6	53.8	10.4	7.7	
	500	234.3	61.9	2.3	1.7	228.9	60.5	2.9	2.2	227.6	60.1	5.8	4.3	226.4	59.8	8.7	6.4	225.3	59.5	11.6	8.5	
	550	256.0	68.0	2.6	1.9	250.6	66.2	3.2	2.4	249.3	65.9	6.4	4.7	248.1	65.5	9.5	7.0	247.0	65.3	12.7	9.3	
ZETA 300	400	215.5	56.9	2.2	1.6	213.3	56.4	2.7	2.0	212.2	56.1	5.4	4.0	211.1	55.8	8.1	6.0	210.0	55.5	10.8	7.9	37
	450	242.0	63.9	2.4	1.8	239.3	63.2	3.1	2.3	238.2	62.9	6.1	4.5	237.1	62.6	9.1	6.7	236.0	62.4	12.1	8.9	
	500	268.5	70.9	2.7	2.0	265.3	70.1	3.4	2.5	264.2	69.8	6.8	5.0	263.1	69.5	10.1	7.4	262.0	69.2	13.4	9.9	
	550	295.0	78.0	3.0	2.2	291.3	77.0	3.7	2.7	290.2	76.7	7.4	5.5	289.1	76.4	11.1	8.2	288.0	76.1	14.8	10.9	