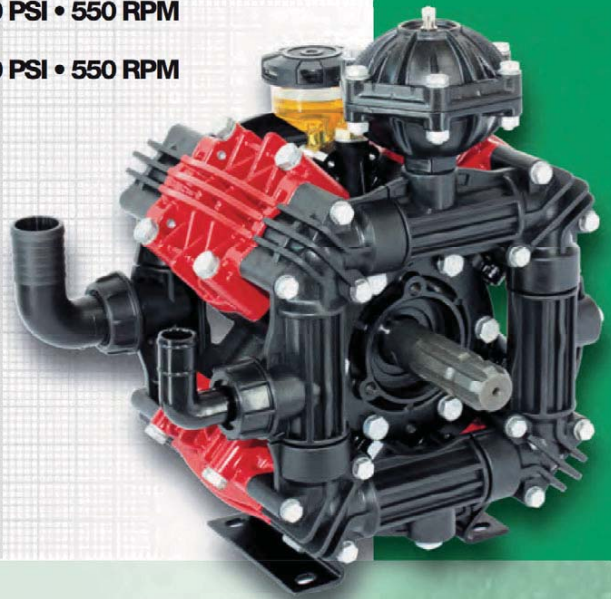
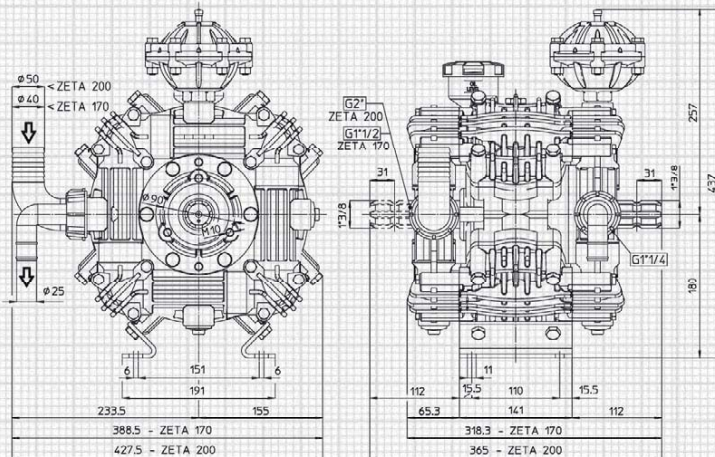


ZETA 170
ZETA 200

max. 170 l/min - 45 GPM • 20 bar - 290 PSI • 550 RPM

max. 198 l/min - 53 GPM • 20 bar - 290 PSI • 550 RPM



alberi P. di F. disponibili available P.T.O. shaft



Solo/Only ZETA 170



Per le dimensioni degli Alberi P. di F. vedi pag. 35

For P.T.O. Shaft dimensions see page 35

applicazioni shaft adaptors



13

MOD.	RPM	0 bar / 0 PSI				5 bar / 72 PSI				10 bar / 145 PSI				15 bar / 217 PSI				20 bar / 290 PSI				Peso Weight Kg
		Portata Flow rate		Potenza Power		Portata Flow rate		Potenza Power		Portata Flow rate		Potenza Power		Portata Flow rate		Potenza Power		Portata Flow rate		Potenza Power		
		l/min	GPM	HP	kW	l/min	GPM	HP	kW	l/min	GPM	HP	kW	l/min	GPM	HP	kW	l/min	GPM	HP	kW	
ZETA 170	400	125.9	33.3	1.3	0.9	121.0	32.0	1.6	1.1	120.3	31.8	3.1	2.3	119.6	31.6	4.6	3.4	118.9	31.4	6.1	4.5	24
	450	140.6	37.1	1.4	1.0	135.7	35.9	1.7	1.3	135.0	35.7	3.5	2.5	134.3	35.5	5.2	3.8	133.6	35.3	6.9	5.0	
	500	155.3	41.0	1.6	1.1	150.4	39.7	1.9	1.4	149.7	39.6	3.8	2.8	149.0	39.4	5.7	4.2	148.3	39.2	7.6	5.6	
	550	170.0	45.0	1.7	1.2	165.1	43.6	2.1	1.6	164.4	43.4	4.2	3.1	163.7	43.2	6.3	4.6	163.0	43.1	8.4	6.1	
ZETA 200	400	145.8	38.5	1.5	1.1	140.9	37.2	1.8	1.3	140.2	37.0	3.6	2.6	139.5	36.9	5.4	3.9	138.8	36.7	7.1	5.2	26
	450	163.2	43.1	1.6	1.2	158.3	41.8	2.0	1.5	157.6	41.6	4.0	3.0	156.9	41.5	6.0	4.4	156.2	41.3	8.0	5.9	
	500	180.6	47.7	1.8	1.3	175.7	46.4	2.3	1.7	175.0	46.2	4.5	3.3	174.3	46.1	6.7	4.9	173.6	45.9	8.9	6.5	
	550	198.0	53.0	2.0	1.5	193.1	51.0	2.5	1.8	192.4	50.8	4.9	3.6	191.7	50.6	7.4	5.4	191.0	50.5	9.8	7.2	