



Seats

VLD1703

Deluxe seat

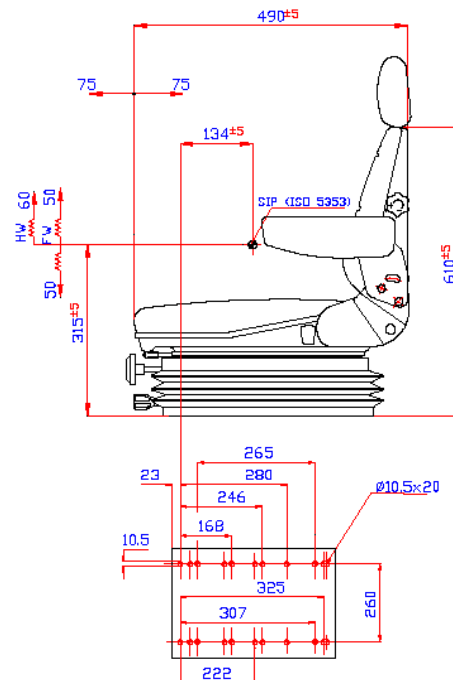
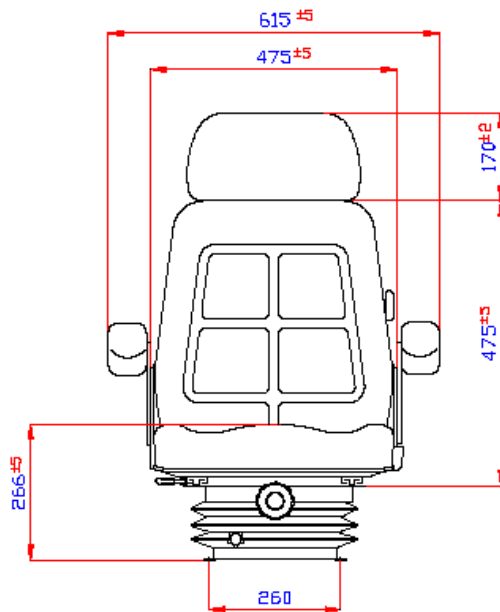
Publication no. VLD1703
 Publication date 16 December 2004

The Vapormatic Co Ltd., P.O. Box 58, Kestrel Way, Sowton Industrial Estate, Exeter, EX2 7NB
 Telephone: 01392 435461 Facsimile: 01392 438445 Email: sales@vapormatic.com



Features

- Fully foldable backrest incorporating 25 degree tilt adjustment and headrest
- Fold up armrests
- Slide track with 150mm fore / aft travel
- Mechanical scissors suspension with 100mm travel
- Weight adjustment, up to 130Kg.
- Seat belt fixing points
- Vapormatic grey velour cloth
- 60mm height adjustment



Original equipment manufacturers names and part number are quoted for reference purposes only and are not intended to infer that our replacement parts are used as original equipment

Registered in England, no 538655 The Vapormatic Company Limited.