



Seats

VLD1647

Super Deluxe seat - mechanical

Publication no. VLD1647

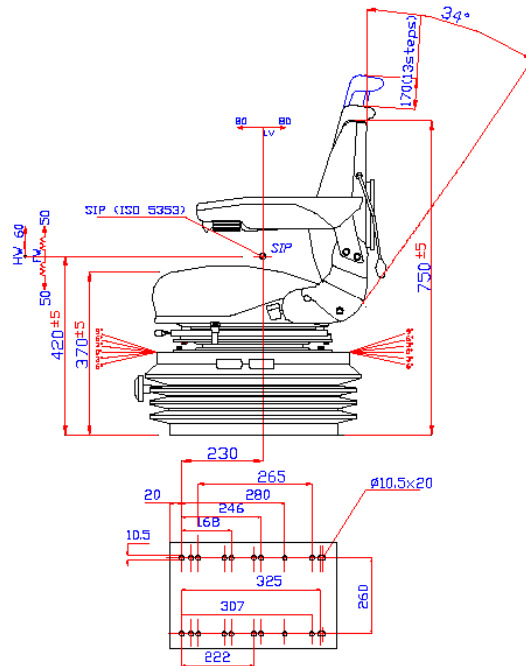
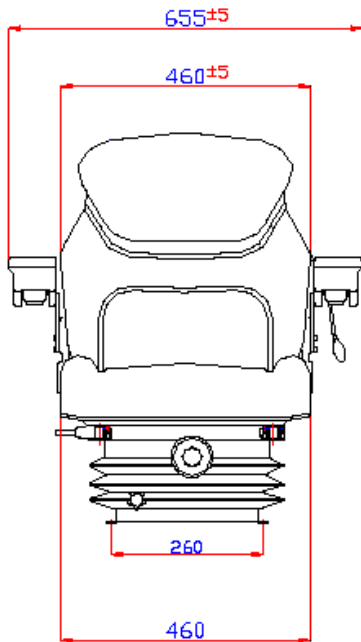
Publication date 5 December 2003

The Vapormatic Co Ltd., P.O. Box 58, Kestrel Way, Sowton Industrial Estate, Exeter, EX2 7NB
 Telephone: 01392 435461 Facsimile: 01392 438445 Email: sales@vapormatic.com



Features

- Fully foldable backrest incorporating 34 degree tilt adjustment
- Heavy duty single locking slide with 160mm fore / a travel
- 100mm suspension travel
- Automatic weight adjustment, up to 130Kg.
- Retractable seat belts
- Integrated adjustable upper backrest
- Lumbar adjustment
- Adjustable arm rests
- Vapormatic grey velour cloth
- 21-degree turntable
- Sealed document pouch
- Height & Tilt Adjustment



Original equipment manufacturers names and part number are quoted for reference purposes only and are not intended to infer that our replacement parts are used as original equipment

Registered in England, no 538655 The Vapormatic Company Limited.