



Seats

VLD1578

Publication no. VLD1578
 Publication date 5 December 2003

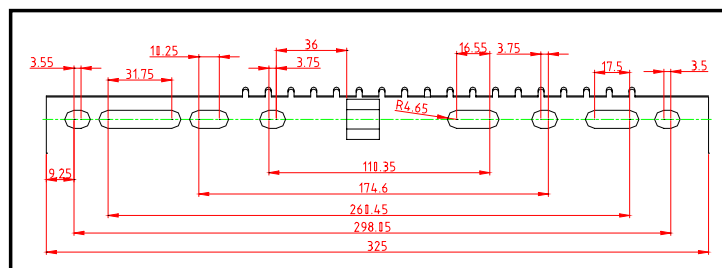
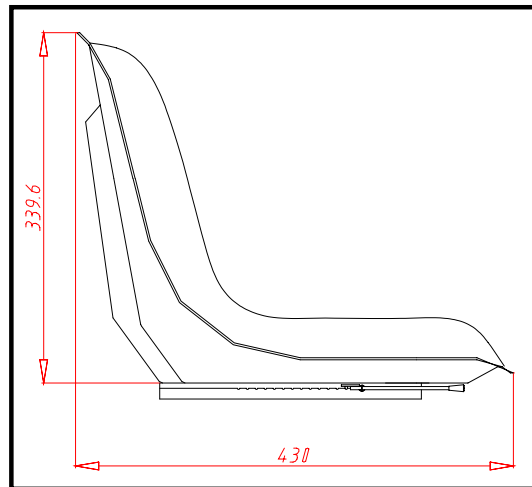
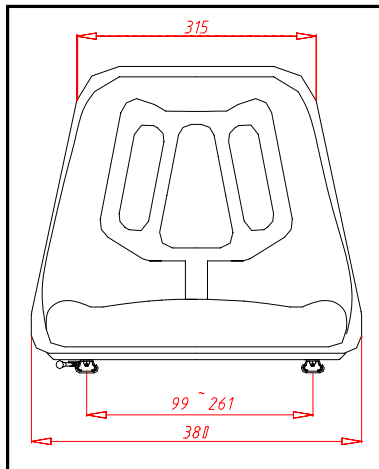
The Vapormatic Co Ltd., P.O. Box 58, Kestrel Way, Sowton Industrial Estate, Exeter, EX2 7NB
 Telephone: 01392 435461 Facsimile: 01392 438445 Email: sales@vapormatic.com



Suitable for many applications including Vineyard, Lawn and Garden and Industrial machinery.

Features

- Universal mounting hole pattern.
- Black vinyl covering
- Slide track with 170mm fore / aft travel



Original equipment manufacturers names and part number are quoted for reference purposes only and are not intended to infer that our replacement parts are used as original equipment

Registered in England, no 538655 The Vapormatic Company Limited.